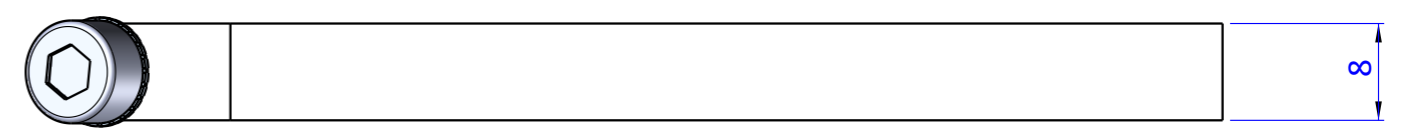
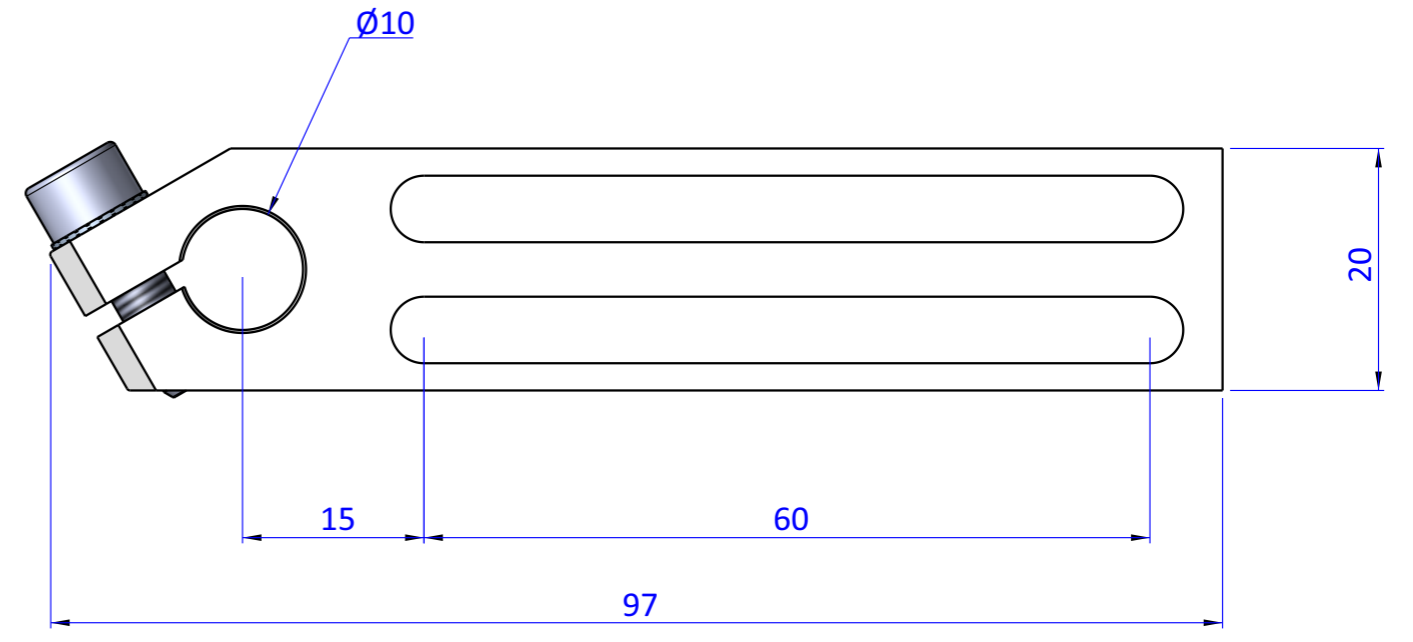
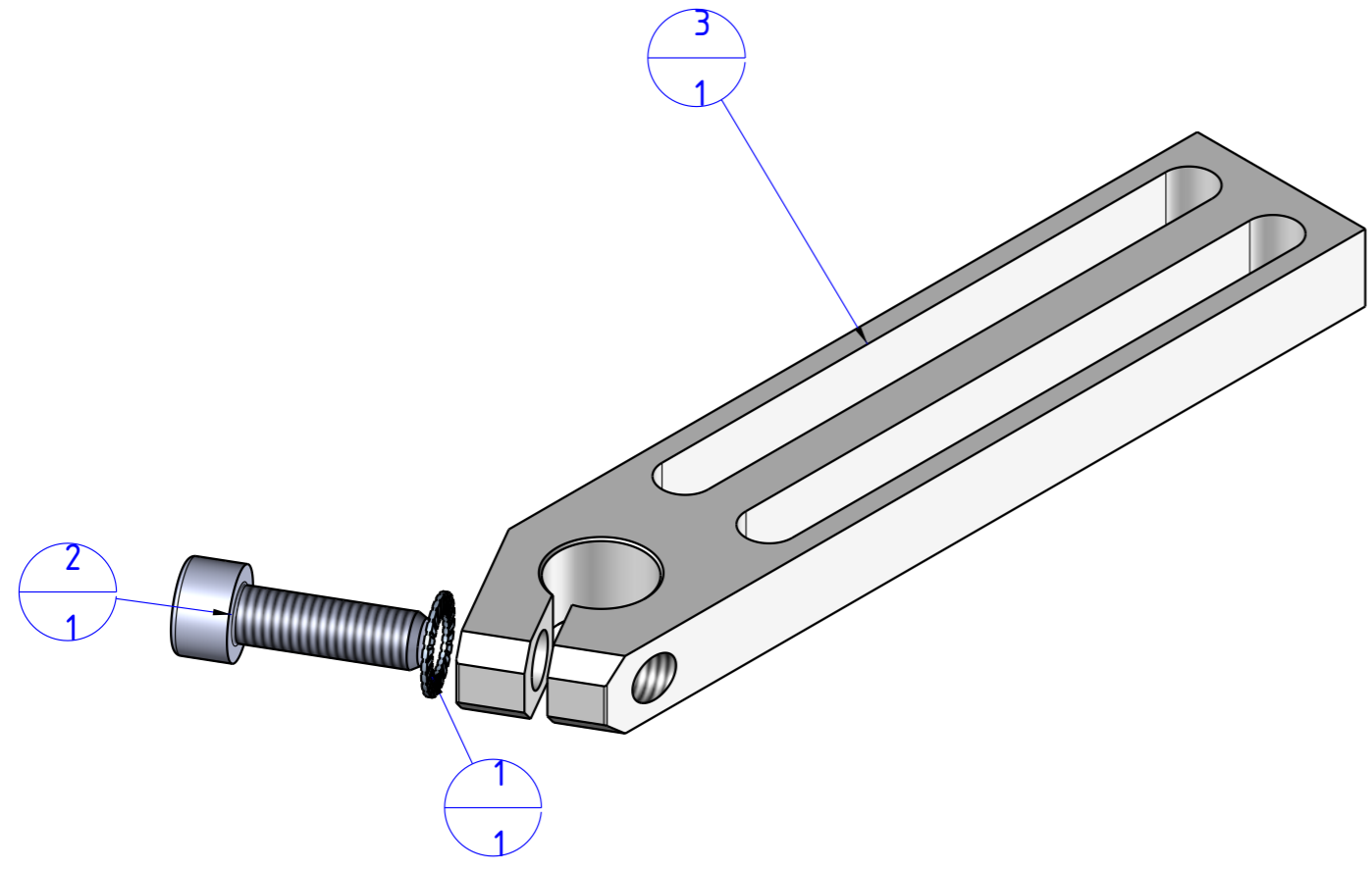



| Item | Name | Q.ty |
|------|-------------|------|
| 1 | R.5.SCH | 1 |
| 2 | V.TCE5x16 | 1 |
| 3 | WSL.1060.VU | 1 |



THE PROPERTY OF THE DRAWING IS ESTABLISHED BY LAW. IT IS FORBIDDEN TO PRODUCE OR SHOW IT TO THIRD PART. WITHOUT A WRITTEN AGREEMENT.

Format A3
UNI 936-76

| | | | | | |
|--|--------------------------------------|--|-------------------------------|--------------------|--|
|  FPS FPSERVICES AUTOMATION | | DESIGNED FROM FPS Automation | | REVIEW A | |
| | | DATE 01/03/2021 | WEIGHT 0,026kg | | |
| GENERAL TOLERANCE UNI - ISO 2768 CLASSE f | DESCRIPTION CA.WSL.1060.VU | | CODE CA.WSL.1060.VU | | |